



# SALAD DRYER

MODEL SD-97

- DRIES ONE CASE OF LETTUCE WITHIN MINUTES
- LONGER SHELF LIFE, FRESH, CRISP APPEARANCE OF SALADS
- SAVES 15% OR MORE IN SALAD DRESSING COST

**MAKES EVERY  
SALAD  
A WINNER!**



**HEAVY DUTY CROSS-BRACED STAINLESS STEEL BASE** ENSURES STABILITY AND BALANCE

**STAINLESS STEEL TUB, LID & MOTOR SPLASH GUARD** HEAVY 16 GA, HIGHLY POLISHED

**EASY TO REACH TIMER** LOCATED NEAR TOP OF SALAD DRYER

**EASY LOAD POLYETHYLENE SPIN BASKET** WITH HANDLE GRIPS

**DRAIN PIPE WITH P/E EXTENTION TUBE** DRAINS DIRECTLY INTO FLOOR DRAIN OR INTO CONTAINER UP TO 12" HIGH - ELIMINATES SPLASHING

**EASY-LOCK CASTERS**

**EASY CLEANING** - NO HARD TO REACH AREAS

**"BUILT FROM THE GROUND UP"!**



**MADE IN USA**



**MANNHART, INC.**  
651 Industrial Boulevard  
Grapevine, Texas 76051  
Telephone (817) 421-0100  
Fax (817) 421-0246



# MANNHART, INC.

651 Industrial Boulevard, Grapevine, Texas 76051

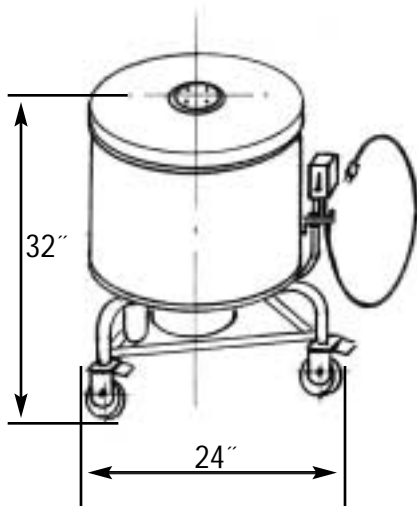
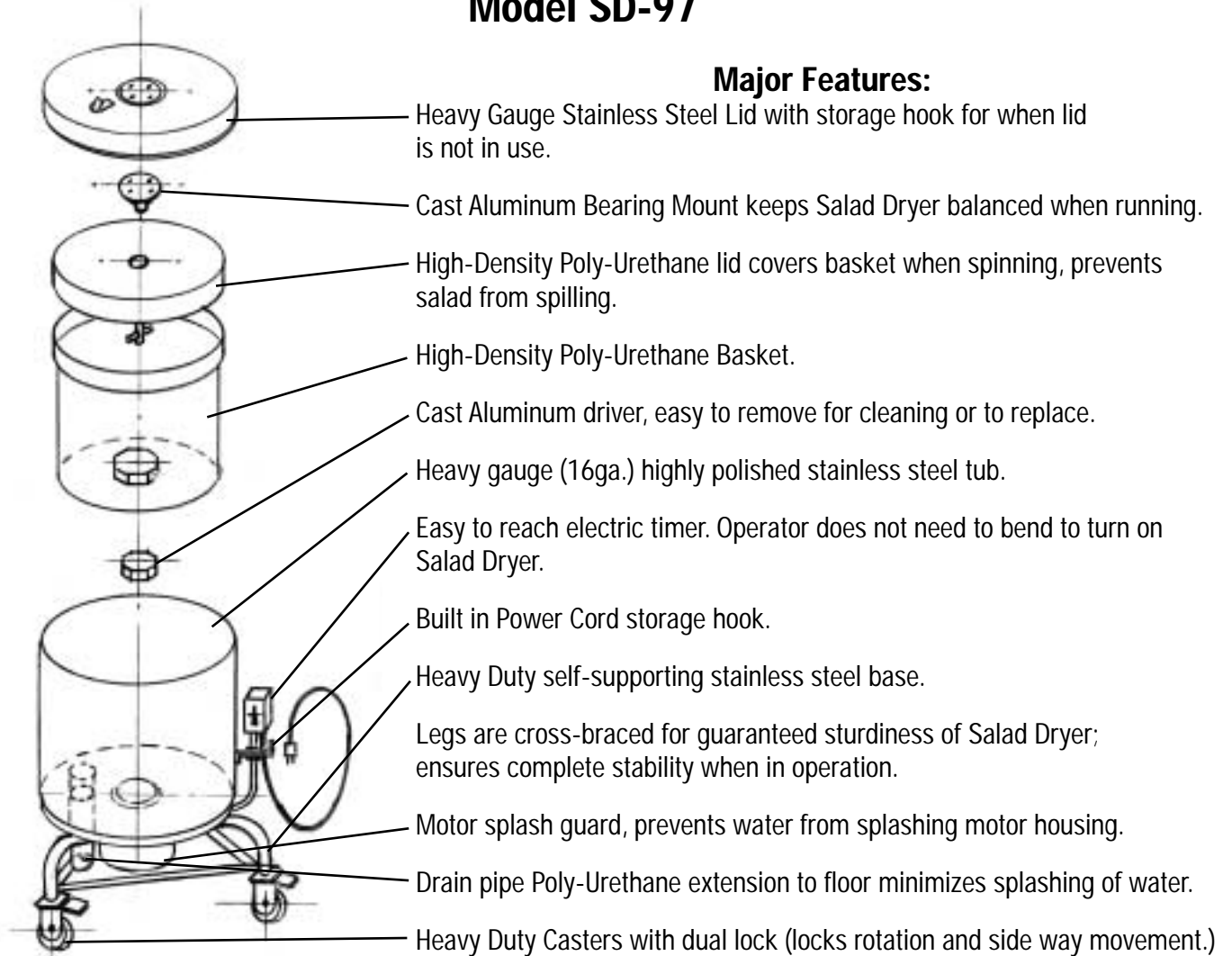
Phone (817) 421-0100

Fax (817) 421-0246

## MANNHART SALAD DRYER

### Model SD-97

#### Major Features:



Electrical: 115/60/1, 1/4HP, Amps. FL 2,5 motor with thermal overload and with permanently lubricated gear drive

Dimensions: Overall height max. 32"  
Minimum floor space 24" x 24"

Weight: 75 lbs